

V1182-2812-B5R Series HD 5MP IR Vari-Focal 1/2.7" Lenses w/DC-Iris

Infinova[®]
The Integrator's Manufacturer



- **5.0Mpx**
- **DC auto iris**
- **Able to correct the chromatic aberrations that occur in both visible light and infrared (IR) light, applicable for day/night camera**
- **Aspherical lens to offer you excellent image of high resolution and contrast**
- **Compact structure, easy to install**

Infinova's V1182-2812-B5R series HD 5.0MP IR vari-Focal lens which features wide aperture of F1.6 and broad focal length of 2.8-12mm is of many kinds of applications. It is able to work under the condition of -30°C~+70°C and have the function of IR correction. Besides, its compact structure makes it easier to install.

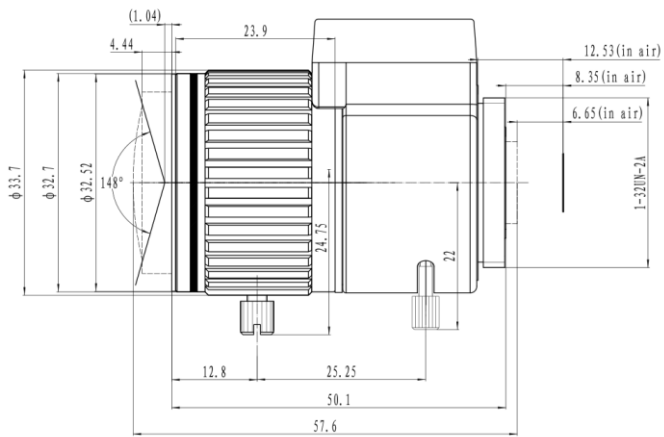
Technical specifications

Model	V1182-2812-B5R	
Resolution	5MegaPixel	
Image Format	1/2.7"	
Focal length	2.8-12mm	
Aperture (F/#)	1.6	
Mount	CS	
Field Angle (D×H×V)	137.8°~37.2°/102.6°~29.9°/74.3°~22.6°	
Optical Distortion	-69.58%~-3.3%	
M.O.D	0.3m	
Dimension	∅ 33.7 mm×57.6mm	
Weight	70.2±2g	
Flange BFL	12.53mm	
BFL	7.05mm~14.8mm	
MBF	6.65mm~8.35mm	
IR Correction	Yes	
Operation	Focus	Manual
	Zoom	Manual
	Iris	DC
Operating temperature	-30°C ~+70°C	

Ordering information

V1182-2812-B5R Lens, 5.0 Mega pixels, 1/2.7 inch, f=2.8-12mm, F/1.6, DC auto iris, CS

Dimensions



(Unit: mm)

Size tolerance (mm)	0-10±0.05	10-30±0.10	30-120±0.20
Angle tolerance	±2°		